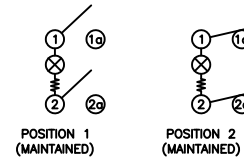


SCHEMATIC



SPECIFICATIONS

FUNCTION:
2P1T OFF-ON

RATINGS:
ANSI/UL 1054 and CAN/CSA C22.2 No. 55 (E194579):
15A 125VAC [UR, cUR]
10A 250VAC [UR, cUR]
1/3HP 125/250VAC [UR, cUR]

ILLUMINATION VOLTAGE:
125V

CONTACT RESISTANCE:
Initial: 35mΩ Max. at 50VAC

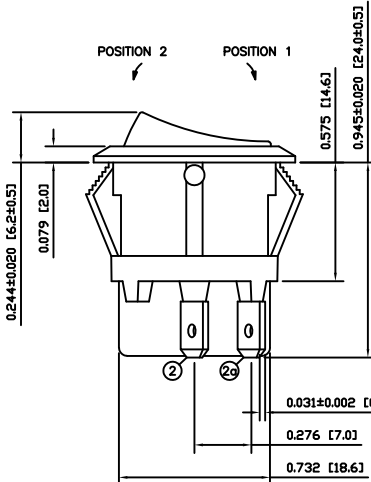
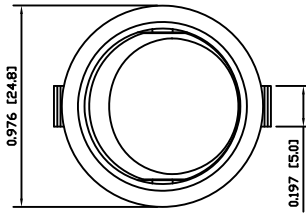
INSULATION RESISTANCE:
100MΩ Min. at 500VDC

DIELECTRIC STRENGTH:
1,500VAC For 1 Minute

ELECTRICAL LIFE:
6,000 Cycles [UR, cUR]

TEMPERATURE:
Operating: -20°C to 105°C [UR, cUR]

APPROVALS:



0.031±0.002 [0.80±0.05]	0.037 [4.75]
0.276 [7.0]	0.287 [7.3]
0.732 [18.6]	0.858 [21.8]
	0.898 [22.8]

OBSOLETE

July 2018

PCR 23476

COLORS AND MARKINGS

BODY:
Black

ACTUATOR:
Transparent Amber

MARKING:
None

MARKING COLOR:
None

MATERIALS

BODY:
Polyamide 6/6 (PA66), UL94 V-2

ACTUATOR:
Polycarbonate (PC), UL94 V-2

LAMP CARRIER:
Polyamide 6/6 (PA66), UL94 V-2

LAMP:
Neon Bulb

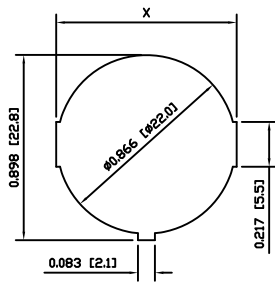
SPRING:
Steel

PLUNGER:
Steel

CONTACTS:
Silver Alloy Plated Copper

TERMINALS:
Silver Plated Copper
Silver Plated Brass

SUGGESTED PANEL CUTOUT



PANEL THICKNESS	X
0.030~0.049 [0.75~1.25]	0.874 [22.2]
0.049~0.079 [1.25~2.00]	0.882 [22.4]
0.079~0.118 [2.00~3.00]	0.890 [22.6]

ACTUATOR	A	09/08/12	CAB
BODY	A	09/08/12	CAB
COLORS	A	09/08/12	CAB
MATERIALS	A	09/08/12	CAB
SPECIFICATIONS	A	09/08/12	CAB
REFERENCE	REV.	DATE	BY

THE INFORMATION CONTAINED IN THIS DOCUMENT IS PROPRIETARY TO E-SWITCH-LAMB INDUSTRIES AND IS NOT TO BE COPIED OR TRANSFERRED

INITIAL RELEASE	PCRD0129	09/10/12	CAB
DESCRIPTION	PCR	DATE	DRAWN BY

DIMENSIONS
INCHES [MILLIMETERS]
GENERAL TOLERANCES
±0.008 [±0.2] / ±1'
SCALE
DRAWING NOT TO SCALE

RRA12C1000-126

DRAWING NUMBER	DATE	REVISION
38-RRA12C1000126	OCTOBER 12, 2009	A